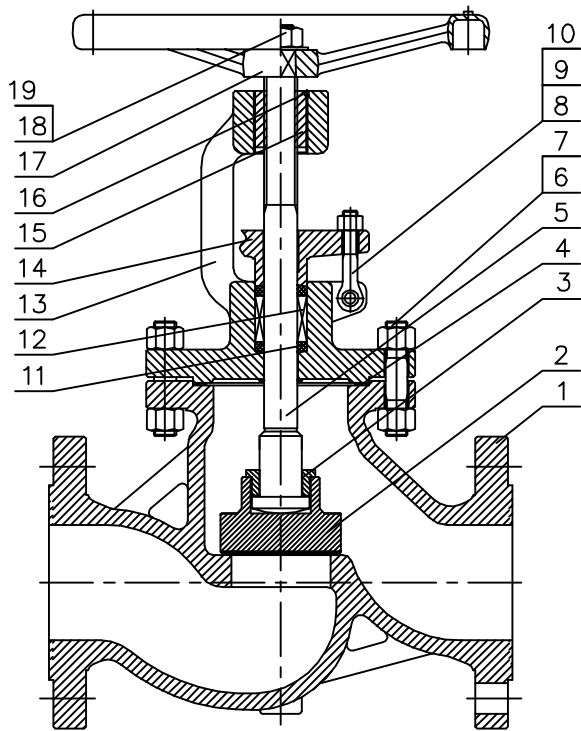


# GOST GLOBE VALVE PN100

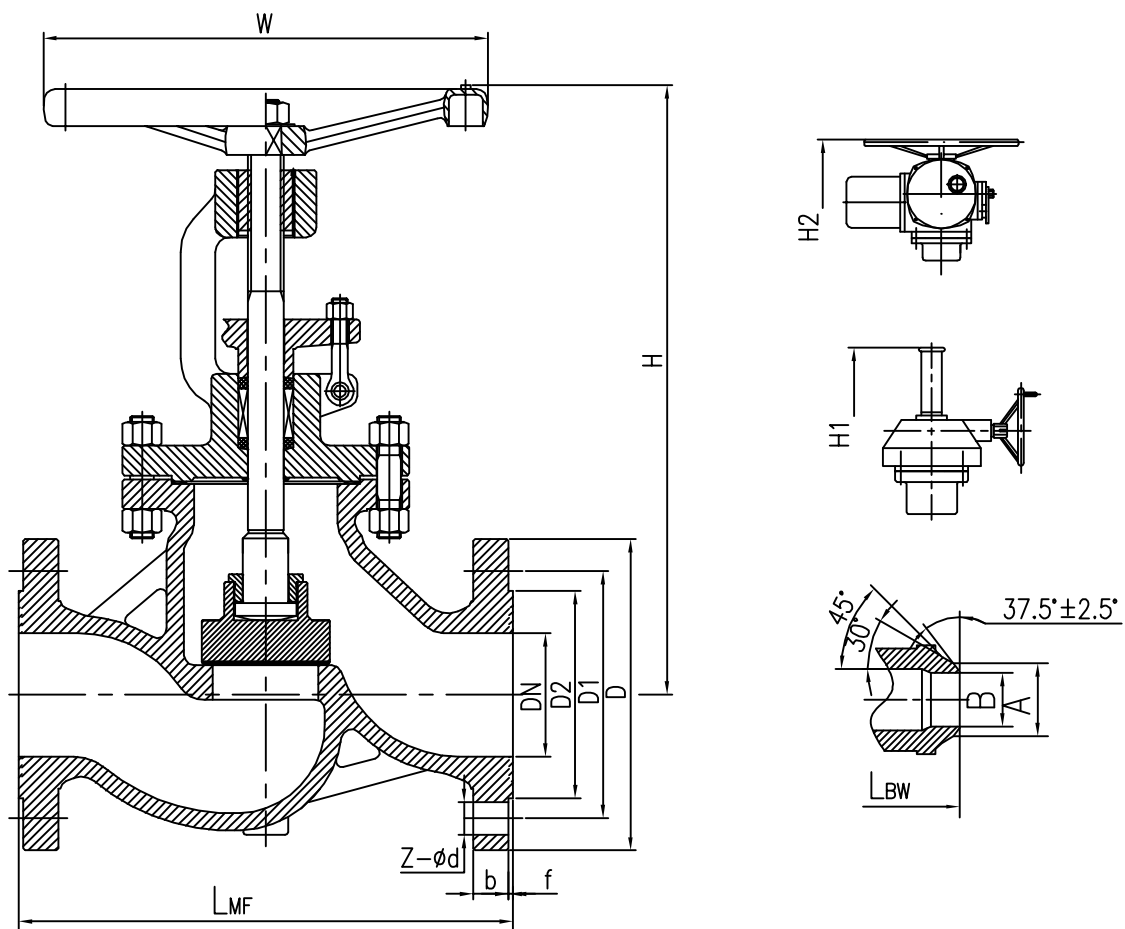


Standard and Specification / 标准与规范				
Design standard 设计标准	Face to face 结构长度	Flange connection 法兰连接	Testing standard 试验与检验	Pressure and temp. 压力-温度等级
GOST	GOST	GOST	ISO5208	GB/T12224

Performance specification / 性能规范						
PN 公称压力(MPa)	Shell test 壳体试验(MPa)	Sealing test 密封试验(MPa)	Back seal test 上密封(MPa)	Gas seal test 气密试验(MPa)	Temperature 适用温度(℃)	Medium 使用介质
10.0	15.0	11.00	11.00	0.6	-29℃~425℃	Water, steam, oil, gas, etc./水、蒸气、油品等

NO. 序号	Name / 名称	Material / 材料					
		WCB+13Cr	CF8	CF8M	CF3	CF3M	LCC+STL
1	Body / 阀体	WCB+13Cr	CF8	CF8M	CF3	CF3M	LCC+STL
2	Disc / 阀瓣	45+13Cr	F304	F316	F304L	F316L	45+STL
3	Disc cover / 阀瓣盖	25#	F304	F316	F304L	F316L	45#
4	Gasket / 复合垫片	304+Flexible Graphite	304+Flexible Graphite	304+Flexible Graphite	304+Flexible Graphite	304+Flexible Graphite	304+Flexible Graphite
5	Stem / 阀杆	2Cr13	F304	F316	F304L	F316L	F304
6	Bolts / 双头螺栓	45#	0Cr18Ni9	0Cr18Ni9	0Cr18Ni9	0Cr18Ni9	35CrMoA
7	Nuts / 六角螺母	35#	0Cr18Ni9	0Cr18Ni9	0Cr18Ni9	0Cr18Ni9	45#
8	Pin / 销轴	2Cr13	304	304	304	304	35CrMoA
9	Bolts / 活节螺栓	45#	0Cr18Ni9	0Cr18Ni9	0Cr18Ni9	0Cr18Ni9	45#
10	Nuts / 六角螺母	35#	0Cr18Ni9	0Cr18Ni9	0Cr18Ni9	0Cr18Ni9	45#
11	Packing / 填料	Graphite	Graphite	Graphite	Graphite	Graphite	Graphite
12	Packing / 填料	Flexible Graphite	Flexible Graphite	Flexible Graphite	Flexible Graphite	Flexible Graphite	Flexible Graphite
13	Bonnet / 阀盖	WCB	CF8	CF8M	CF3	CF3M	LCC
14	Packing cover / 填料压盖	WCB	CF8	CF8M	CF3	CF3M	LCC
15	Nut / 阀杆螺母	ZQAL9-4	ZQAL9-4	ZQAL9-4	ZQAL9-4	ZQAL9-4	ZQAL9-4
16	Lock nut / 锁定螺母	25#	25#	25#	25#	25#	25#
17	Handwheel / 手轮	GGG40	GGG40	GGG40	GGG40	GGG40	GGG40
18	Gasket / 垫片	Q235A	Q235A	Q235A	Q235A	Q235A	Q235A
19	Nuts / 六角螺母	35#	0Cr18Ni9	0Cr18Ni9	0Cr18Ni9	0Cr18Ni9	35#

# GOST GLOBE VALVE PN100



J41 (H, Y, W) - 100 (C, P, R, I)

DN	LMF	LBW	D(φ)	D1(φ)	D2(φ)	f	b	Z-φd	A	B	H	w(φ)
50	300	300	195	145	87	4	28	4-φ26	60	49	415	240
65	340	340	220	170	109	4	30	8-φ26	75	59	435	240
80	380	380	230	180	120	4	32	8-φ26	91	74	545	300
100	430	430	265	210	149	4.5	36	8-φ30	117	97	620	350
125	500	500	315	250	175	4.5	40	8-φ33	144	122	735	400
150	550	550	355	290	203	4.5	44	12-φ33	172	146	840	450
200	650	650	430	360	259	4.5	52	12-φ36	223	194	925	500
250	775	775	505	430	312	4.5	60	12-φ39	278	243	1006	550